

PLAST-AX

FEL BINS: 4.5M³

AN EXTRACT FROM THE BIN BOOK

Specialist bin supplier to New Zealand industry

5-8	4.5m ³
9-10	FEL Bin Accessories
11-14	FEL Bin Lids
15-16	4.5m ³ Size Guide





Our aim:
—
get it right
the first time,
—
every time.

4.5M³ FEL BIN

4.5M³ FEL BIN

Code:	BN305
Capacity:	4510 Litres
Dimensions (mm):	2050 x 1700 x1950(h)
Fill Height:	1330 mm
FEL Fork Width:	1905 mm (centres)
Tare Weight	150 kg
Weight Rating:	1500 kg

Comes standard with LD321 PLAST-AX Left + Right Lid Pair.

Available with optional lock bar (suits both 3m³ & 4.5m³ bins)

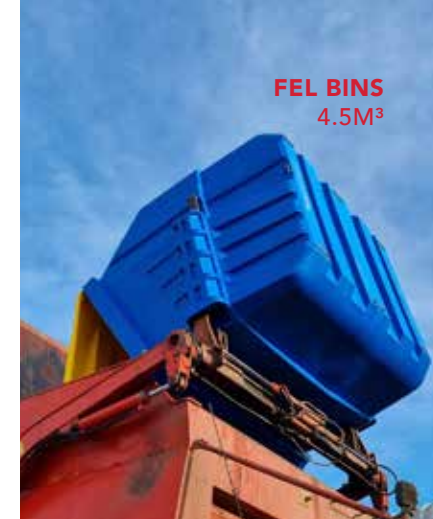


FEL BINS
4.5M³

PLAST-AX 40mm solid FEL side pockets



4.5m³ & 3m³ FEL bins stacked for despatch.



FEL BINS
4.5M³



4.5M³ FEL BIN

When you need efficient volume collection, the PLAST-AX 4.5m³ is the solution.

The 4.5m³ has a large opening which is ideal for post-industrial recycling for soft plastics and cardboard.

This bin followed the 1.5m³ and 3m³ bins in the PLAST-AX FEL range, continuing on all the well-proven design structure elements and user benefits for our customers.

Going to a large bin like the 4.5m³ can provide efficient waste collection for both ends of the scale:

- Containing waste from high volume output sites, often manufacturing facilities and large industrial sites.
- Providing a large receptacle for remote and lower volume customers, farm sites and rural factories, so that collection cycles can be less frequent.





PLAST-AX LIDS

In detail

Lids open onto the back ribbed section of the 3m³ and 4.5m³ Bins in a tongue and groove style, so that the entire surface area is in contact (rather than having a single point of impact to stress).

The recess in the top rim creates a nice lift access point; again, utilising the bin rather than impacting the strength integrity of the lid.

1.5M³ & 2M³ LOCKBAR

Our lock bar & brackets are hot dip galvanised and fit up retrospectively to the bins.

The bar and bracket are bolted in to captivated female fixings housed securely in the box section top rim.



WHEELS

In detail

125mm wheel sets are supplied as 2x Fixed Directional, 2x Swivel Braked Castors.

1200kg rated Red Polyurethane (PU) outer on a Cast Iron inner; or

600kg rated Blue Rubber on a Black PU inner (smaller bins).

All wheels are supplied with stainless fixings.

3M³ & 4.5M³ LOCKBAR

The same lock bar has been designed to fit both the PLAST-AX 3m³ & 4.5m³ FEL bins.

PLAST-AX lock bars are simple, robust and engineered with suitable tolerances to handle intended conditions of use.



Every lid pair is immaculately uniform.
We are obsessed with this.

PLAST-AX FEL LIDS

PLAST-AX Lids for the FEL Bin range have been a significant move forward for the waste industry in New Zealand, removing the persistent breakage problem with the old style steel bin + plastic lid alternative.

By design, our lids have inherent flex and impact resistance to last in their conditions of use.

PLAST-AX FEL Lids are moulded evenly with big radiuses, strong corners, thick edges, and consistent strength.

Every lid pair sits square, flush, and tight together. It is impossible to achieve this solely at the fitting stage: it is the result of intense design detail.

A nice clean fibreglass hinge rod draws the lids and bin together, secured by a 3mm stainless split pin tidily recessed back between the joints, positioned through a predrilled hole. Please ensure your team fit the split pins provided so that the hinge rod is kept in place throughout the emptying cycles.



Same Left + Right lid pair for PLAST-AX 1.5m³ and 3m³ FEL Bins

PLAST-AX FEL LIDS

It's bins and lids together, that's the key.

The same one designer, manufacturer, and supplier for both.

The fibreglass hinge-rod provides additional tolerance for the bin and lids to all move together; when there is an impact, the whole unit flexes together and returns back to its original position.

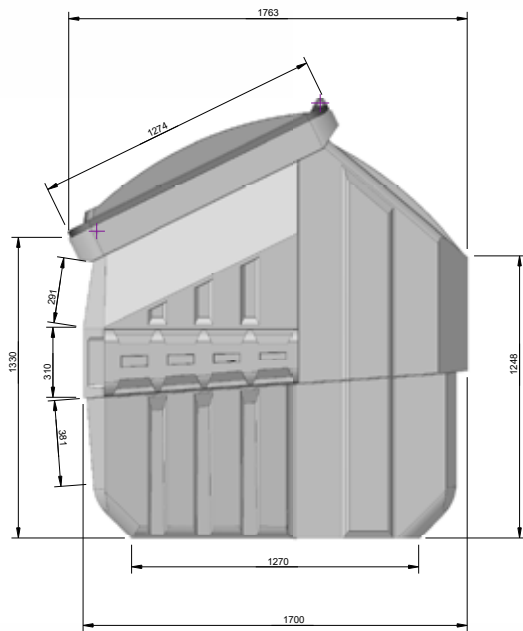
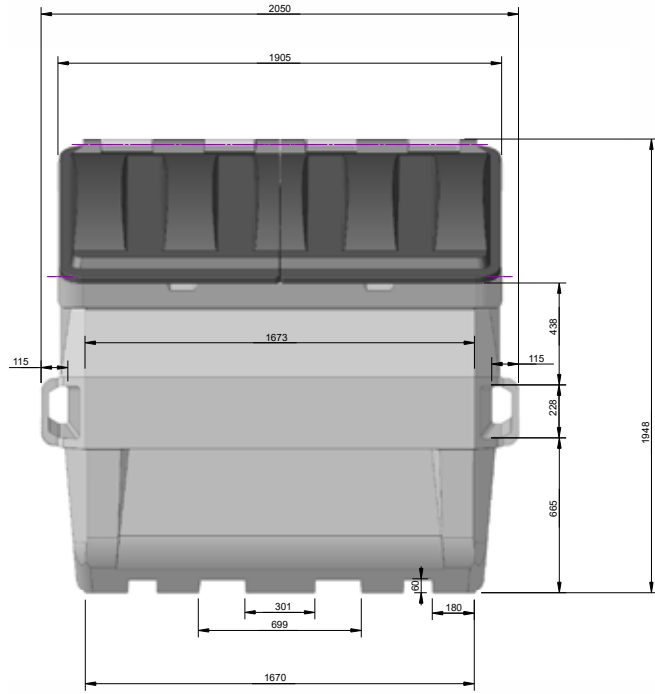
(Conversely, with steel bin hinge rod, often it's the steel hinge rod that bends – and stays bent – then leaving the plastic lid vulnerable out at an angle; on subsequent empties it is then the lid that gets damaged. This is avoided with the PLAST-AX system)

Lids are finished, stored, and stacked in custom-built stillages at PLASTAX. We are fanatical with jiggling and storage of lids to ensure they retain the right, lasting polymer memory.

Lid pairs can be supplied in any colour to suit your company branding or to assist in directing waste streams: e.g. Light Grey for cardboard, Yellow for comingled recycling.



3mm stainless split pin



3m3 and 4.5m3 stacked for freighting

